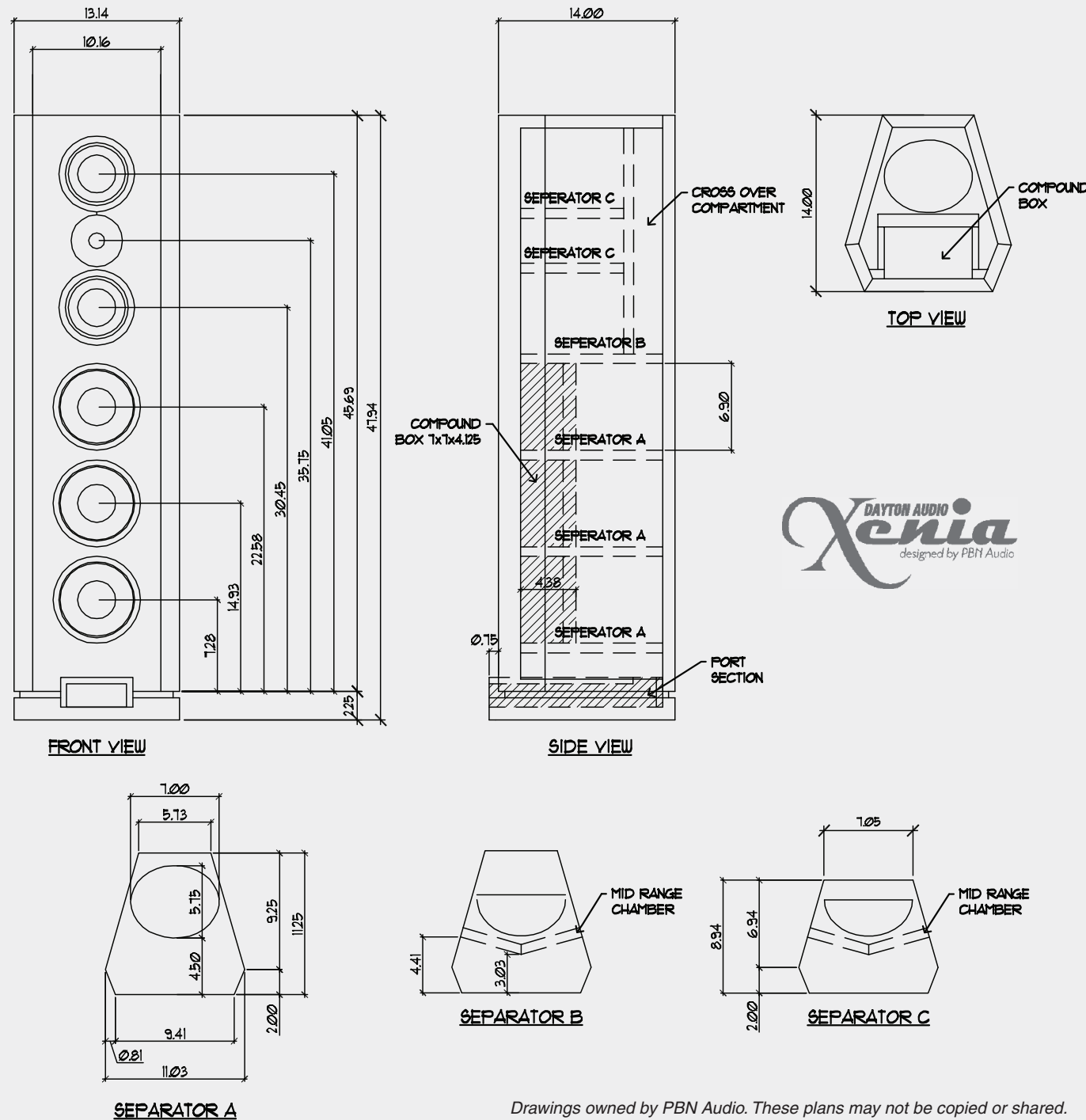


Stunning Six-Woofer Wonder Available As A Complete Kit

AUDIOPHILE QUALITY – BUILD-IT-YOURSELF SAVINGS



DIMENSIONAL DRAWINGS



Drawings owned by PBN Audio. These plans may not be copied or shared.



High-end woofers are capable of far more than thumping bass chords or 5.1 sound effects. For the discerning ear, they can provide a muscular, taut "weight" to the speaker's soundscape that helps provide true spatial definition. The experts call it "crunchy." We've multiplied the effect three-fold over the usual system to give the lower registers a stunning display of this uncannily life-like effect.

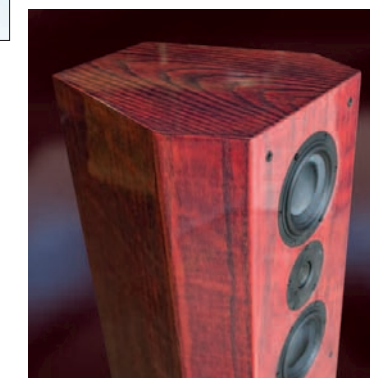
Of course, there's much more to the *Xenia* – a sweet, sweet treble, and two mid-range masterpieces that integrate the whole with breathtaking realism. The engineering is flawless; the electronics perform effortlessly.

The *Xenia* boasts two of the most trusted names in the field, teaming to create this innovative speaker system: **Dayton Audio** and **PBN Audio**. All components are included in one affordable price, ready for easy step-by-step assembly.

If you've hesitated in taking the exciting step of building your own system, this is the time, and this is the speaker.



The six woofers are paired to position one above the other, which halves the size of the unit and doubles the power and precision for an extra-tight sound.



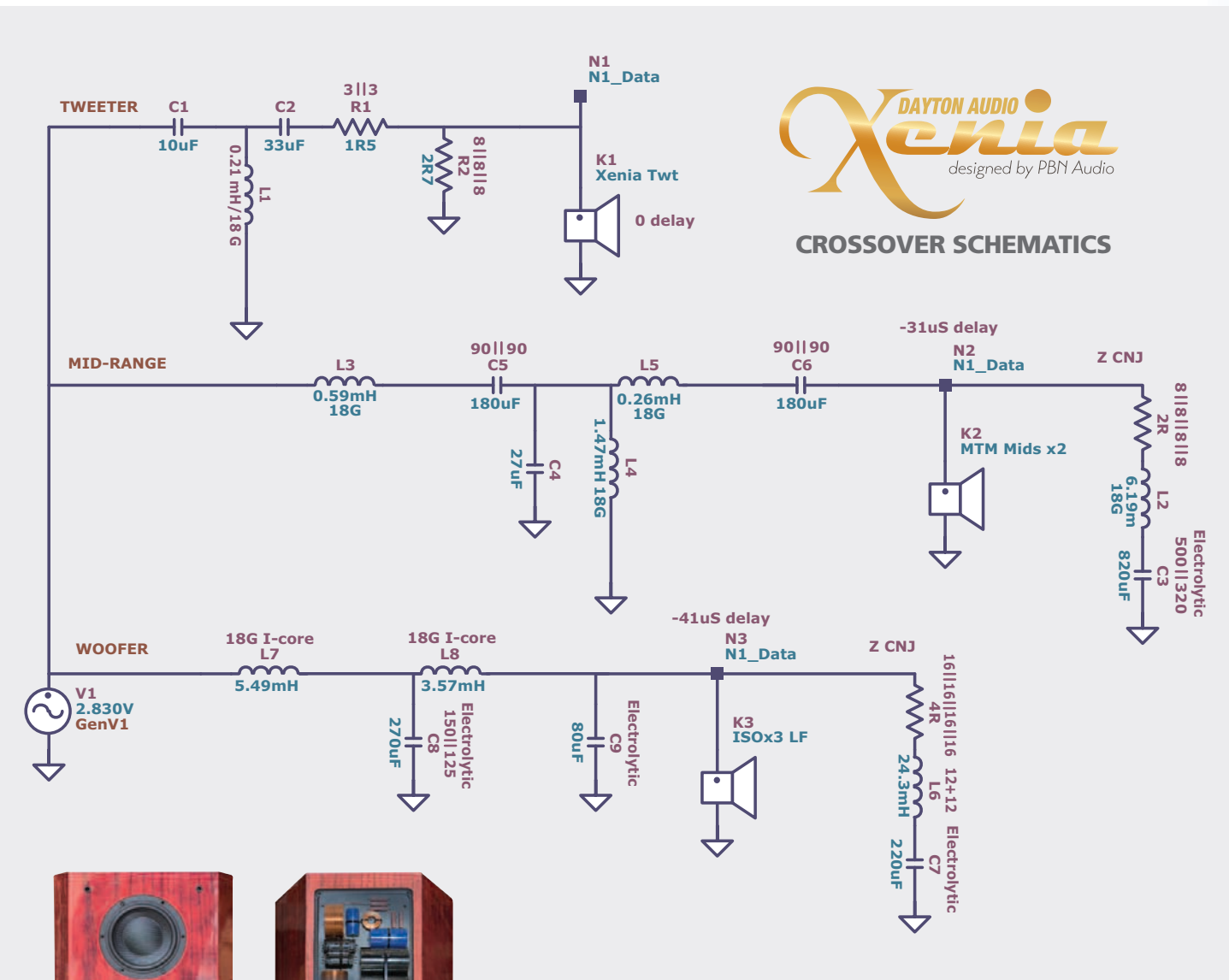
Another Innovation From The Minds Of



If your interests lie in a finished system, you may also purchase a complete pair of assembled and tested speakers with piano-lacquered cabinets. Available only through PBN

Price does not include shipping, which will vary by delivery address.





DAYTON AUDIO
Xenia
designed by PBN Audio
CROSSOVER SCHEMATICS



TECHNICAL SPECIFICATIONS

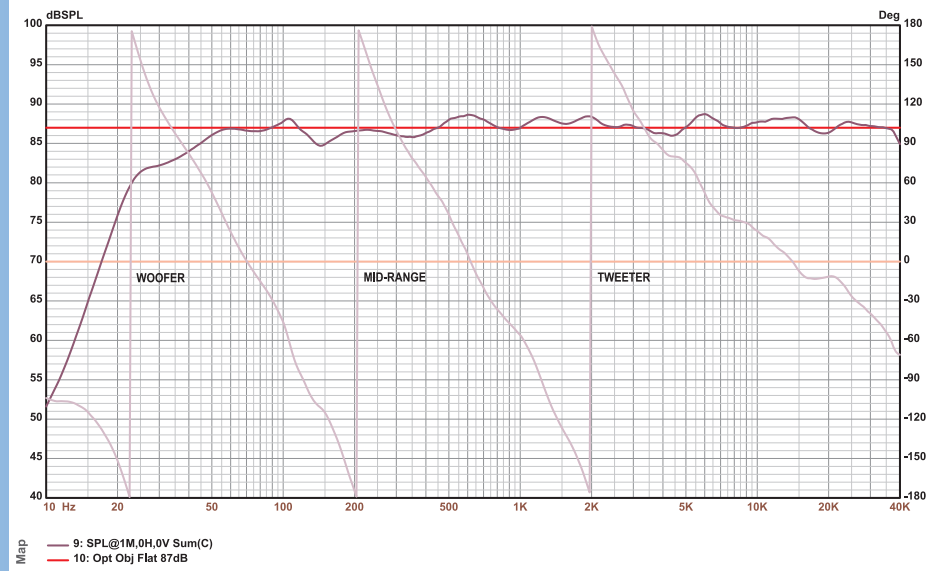
- Driver Complement:**
 - Low-Frequency:** 6 x 7" (Triple Compound) (Dayton Audio ES180Ti-8)
 - Mid-Frequency:** 2 x 5" (Dayton Audio ES140Ti-8)
 - High-Frequency:** 1x1" (Dayton Audio ES25Nd-4)
- Sensitivity:** 87dB/2.83V/1M
- Crossover points:** 200 Hz and 2kHz @ 24/dB Oct LR
- Impedance:** nominal 4 Ohms (Min. 2.6 Ohms, Max. 8 Ohms)
- Dimensions:** 13.5"W x 14.5"D x 48.5"H
- Weight:** 122 lbs



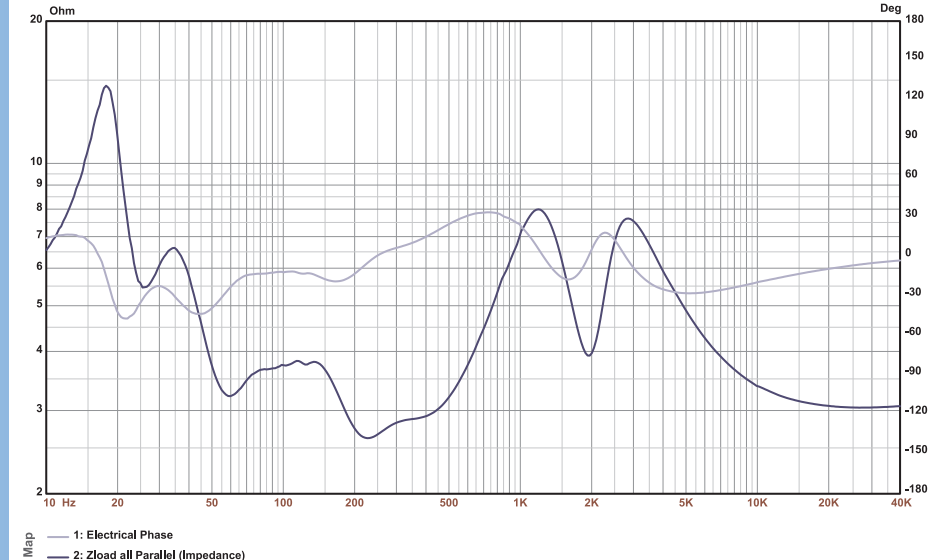
The interior compartments of the speaker have been carefully engineered to allow easy placement of the inner row of three woofers. Note the slots which feed the drivers into position.



Frequency Response and Acoustical Phase – Completed Optimized System



Impedance and Electrical Phase – Completed Optimized System



SPL vs Frequency – Drivers in Cabinet with No Crossover

